

# FANUC Robot CRX-10iA/L Paint



## FEATURES

FANUC Robot CRX-10iA/L Paint is the global Ex-Proof collaborative paint robot based on CRX-10iA/L designed for ease of use.

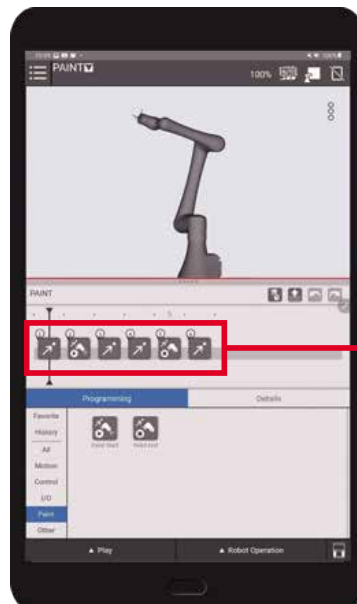
- Approved for use in Zone 1 hazardous areas due to its high Equipment Protection Level Gb rating.
- Human operator and robot can work in the same area without safety fences.
- Operators can easily program paint paths using the manual guide teach functions, even in Ex-Proof paint environments.
- Painting motion programs can be saved and applied to another part.
- Icon programming that enables intuitive operation is now compatible with paint applications.
- Highly sensitive contact-stopping function is the same as other CRX models.
- Control unit for hazardous area controls and R-30iB Mini Plus controller have a stacked structure, which contributes to space savings.

## Application Example



Gasoline tank painting

## Paint Icon Command

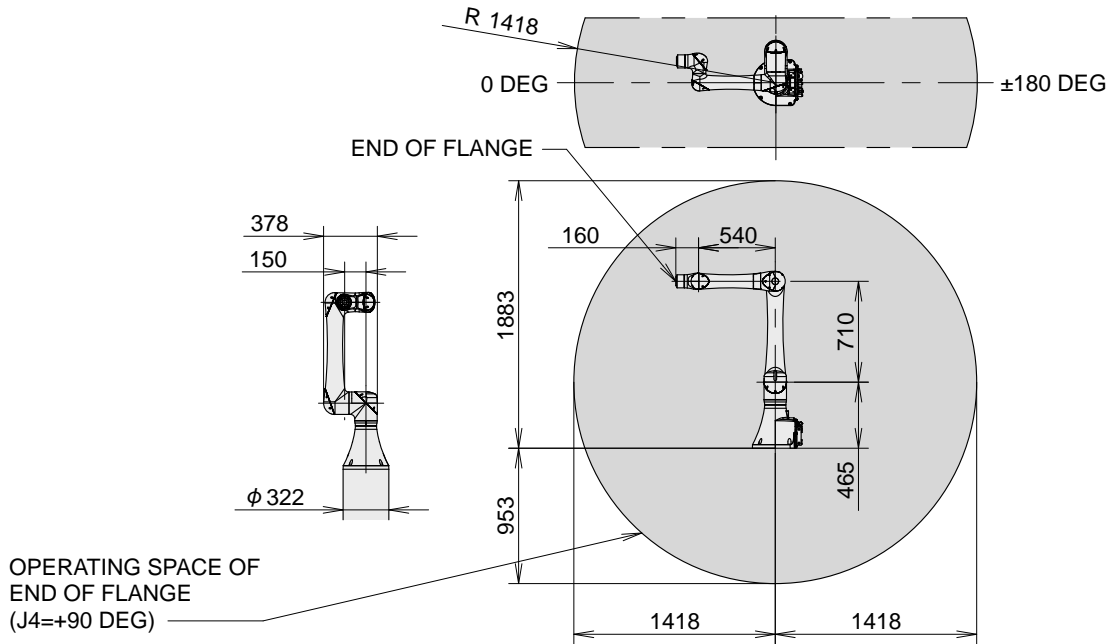


Paint Start  
Icon



Paint End  
Icon

# CRX-10iA/L Paint



## Specifications

Model		CRX-10iA/L Paint
Type		6 axes (J1, J2, J3, J4, J5, J6)
Reach		1418 mm
Installation (Note 1)		Floor, Upside-down, Angle mount
Maximum speed (Note 2, Note 3)	Collaborative mode	1000 mm/s
	High speed mode	2000 mm/s
Max. load capacity at wrist		10 kg
Allowable load moment at wrist	J4 axis	34.8 Nm
	J5 axis	26.0 Nm
	J6 axis	11.0 Nm
Allowable load inertia at wrist	J4 axis	1.28 kg·m <sup>2</sup>
	J5 axis	0.90 kg·m <sup>2</sup>
	J6 axis	0.30 kg·m <sup>2</sup>
Repeatability		±0.04 mm
Mass (Note 4)		47 kg
Noise (Note 5)		70 dB or less
Degree of protection		Conform to IP67
Installation environment		Ambient temperature : 0 to 45°C Ambient humidity : Normally 75%RH or less (No condensation allowed) : Short term (Within one month) 95%RH or less (No condensation allowed) Vibration acceleration: 4.9m/s <sup>2</sup> (0.5G) or less
Matching controller R-30iB Mini Plus	Rated Voltage	100 to 120 VAC, 200 to 240 VAC Single phase +10% -15%, 50/60Hz
	Input power source capacity	1.5 kVA
	Mass of controller	44 kg
	Dimensions (WxDxH)	410 x 307 x 740 mm
	Degree of protection	IP54

Note 1) Angle mount needs motion range restriction according to the payload.

Note 2) During short distance motions, the axis speed may not reach the maximum value stated.

Note 3) It is necessary to set a motion speed according to risk assessment of system.

Note 4) Without controller.

Note 5) This value is equivalent continuous A-weighted sound pressure level, which applied with ISO11201(EN31201).

This value is measured with the following conditions:

- Maximum load and speed
- Operating mode is AUTO

Note 6) Controller should be located at Non-Hazardous area.

# FANUC CORPORATION

•Headquarters 3580, Shibokusa, Oshino-mura, Minamitsuru-gun  
Yamanashi, 401-0597, JAPAN  
Phone: (+81)555-84-5555 <https://www.fanuc.co.jp/>

•Overseas Affiliated Companies

FANUC America Corporation  
FANUC Europe Corporation, S.A.  
SHANGHAI-FANUC Robotics CO., LTD.  
KOREA FANUC CORPORATION  
TAIWAN FANUC CORPORATION  
FANUC INDIA PRIVATE LIMITED  
FANUC SINGAPORE PTE. LTD.  
FANUC THAI LIMITED  
FANUC MECHATRONICS (MALAYSIA) SDN. BHD.  
PT. FANUC INDONESIA  
FANUC OCEANIA PTY. LIMITED  
FANUC SOUTH AFRICA (PROPRIETARY) LIMITED

Phone: (+1)248-377-7000  
Phone: (+352)727777-1  
Phone: (+86)21-5032-7700  
Phone: (+82)55-278-1200  
Phone: (+886)4-2359-0522  
Phone: (+91)80-2852-0057  
Phone: (+65)6567-8566  
Phone: (+66)2-714-6111  
Phone: (+60)3-3082-1222  
Phone: (+62)21-4584-7285  
Phone: (+61)2-8822-4600  
Phone: (+27)11-392-3610

<https://www.fanucamerica.com/>  
<https://www.fanuc.eu/>  
<https://www.shanghai-fanuc.com.cn/>  
<https://www.fkc.co.kr/>  
<https://www.fanuctaiwan.com.tw/>  
<https://www.fanucindia.com/>  
<https://www.fanuc.com/fsp/>  
<https://www.fanuc.com/fth/>  
<https://www.fanuc.com/fmm/>  
<https://www.fanuc.com/fin/>  
<https://www.fanucoceania.com.au/>  
<https://fanuc.co.za/>

- All specifications are subject to change without notice.
- No part of this catalog may be reproduced in any form.
- The products in this catalog are controlled based on Japan's "Foreign Exchange and Foreign Trade Law". The export from Japan may be subject to an export license by the government of Japan. Further, re-export to another country may be subject to the license of the government of the country from where the product is re-exported. Furthermore, the product may also be controlled by re-export regulations of the United States government. Should you wish to export or re-export these products, please contact FANUC for advice.